

Gorilla Ladders® está amparada por varias patentes internacionales y de Estados Unidos ya concedidas o en trámite. Para más información, visita www.gorillaladders.com/patents

INSTRUCCIONES OPERATIVAS Y DE SEGURIDAD

GLA-MPX26W



GLA-MPX22W



GLA-MPX22W



GLA-MPX26W

OPERATING & SAFETY INSTRUCTIONS

Gorilla Ladders® are covered by several issued and pending US and International patents. For more information, please visit www.gorillaladders.com/patents

Lifetime Limited Warranty

Gorilla Ladders® are warranted against defects in workmanship or materials, under normal use, to the original owner for the useful life of the product. Gorilla Ladders will, at its option or discretion replace or refund the purchase price paid, any unit subject to this Limited Lifetime Warranty during the warranty period. Under all circumstances, Gorilla Ladders' maximum liability under this Lifetime Limited Warranty will be limited to the purchase paid price."

THIS LIMITED WARRANTY IS IN LIEU OF ALL OTHER WARRANTIES, EXPRESSED OR IMPLIED, INCLUDING WARRANTIES OF MERCHANTABILITY AND FITNESS.

Gorilla Ladders®
7677 Equitable Drive, Eden Prairie, MN 55344
800-867-6763 (TEL) — 800-945-0191 (FAX)
www.gorillaladders.com

Garantía limitada de por vida

Gorilla Ladders® provee garantía contra defectos de fabricación o de materiales, en condiciones normales de uso, al dueño original durante la vida útil del producto. "A su entera discreción, Gorilla Ladders optará, durante el plazo de garantía, por reembolsar el precio de compra pagado o reponer cualquier unidad sujeta a esta garantía limitada de por vida. Bajo ninguna circunstancia, la responsabilidad máxima de Gorilla Ladders en virtud de esta garantía limitada de por vida podrá exceder el precio de compra pagado".

ESTA GARANTÍA SUSTITUYE CUALQUIER OTRA EXPRESA O IMPLÍCITA, INCLUIDAS AQUELLAS DE COMERCIALIZACIÓN O IDONEIDAD.

Gorilla Ladders®
7677 Equitable Drive, Eden Prairie, MN 55344
800-867-6763 (TEL) — 800-945-0191 (FAX)
www.gorillaladders.com

Regístrate por Internet en www.gorillaladders.com/warranty
 o envía de vuelta este formulario a la siguiente dirección:
Registo de la garantía
GORILLA LADDERS®
 7677 Equitable Drive
 Eden Prairie, MN 55344

1. ¿Cómo te categorizarías a ti mismo?
 PRO / Contratista
 Propietario de vivienda / Consumidor
2. ¿Poseste antes una escalera con múltiples posiciones?
 Sí
 No
 Si la respuesta es positiva, ¿por qué compraste la escalera | Gorilla Ladders de múltiples posiciones?

Nombre: _____
 Apellido: _____
 Dirección: _____
 Ciudad _____ Estado _____ Código Postal _____
 Dirección de correo electrónico _____
 Fecha de compra _____
 Modelo num. _____ Lote num. _____

REGISTRATE POR INTERNET EN WWW.GORILLALADDERS.COM/WARRANTY O ENVÍA DE VUELTA ESTE FORMULARIO DENTRO DE LOS 10 DÍAS SIGUIENTES A LA COMPRA.

REGISTRO DE LA GARANTÍA

3. ¿Has comprado antes algún producto Gorilla Ladders?
 Sí
 No
 Si la respuesta es positiva, ¿qué producto(s)?
 Mini escalera
 Plataforma de trabajo
 Escalera de múltiples posiciones
4. ¿Dónde usarás esta escalera?
 Empresa
 Hogar

WARRANTY REGISTRATION

REGISTER ONLINE AT WWW.GORILLALADDERS.COM/WARRANTY OR RETURN THIS FORM WITHIN 10 DAYS OF PURCHASE.

First Name: _____

Last Name: _____

Address: _____

City _____ State _____ Zip _____

Email Address _____

Date Purchased _____

Model # _____ Lot # _____

1. How would you categorize yourself?

- PRO/Contractor
- Homeowner/Consumer

2. Do you currently own a multi-position ladder?

- Yes
- No

If yes, why did you purchase the Gorilla Ladders multi-position ladder?

3. Have you purchased a Gorilla Ladders® product before?

- Yes
- No

If yes which one?

- Step Stool
- Work Platform
- Multi-Position

4. Where will you use this ladder?

- Business
- Home

Register online at www.gorillaladders.com/warranty
 or return this form to the address below:
Warranty Registration
GORILLA LADDERS®
 7677 Equitable Drive
 Eden Prairie, MN 55344

NO LEER NI SEGUIR TODAS LAS INSTRUCCIONES SOBRE ESTA ESCALERA, INCLUYENDO AQUELLAS QUE APARECEN DEBAJO DE LOS PELDAÑOS, PUDIERA RESULTAR EN LESIONES O MUERTE.

INSTRUCCIONES DE SEGURIDAD

- Para proteger a los niños, no dejes la escalera instalada y sin supervisión.
- **SELECCIÓN APROPIADA**
(2) Para desbloquear la bisagra: Presiona el botón para alzarla.
- **INSPECCIÓN**
Inspecciona la en el momento que la escalera se activa. Mantén la escalera limpia, sin humedad, aceite, barro, pintura y otros materiales resbalosos. Mantén tu escalador limpio, no se deben usar suelas de cuero.
- **PROPER SET-UP**
DANGER! METAL CONDUCTS ELECTRICITY! Do not let ladders of any material come in contact with live electrical wires.
- Upon receipt lubricate all hinges with light machine oil or similar substance per manufacturer instructions and again at least once a year depending on use.
- Securely engage ladder hinges and rail locks before climbing. Proper operations of hinges is as follows:
1) To Lock Hinge: Palm button will engage to the locked position when the ladder is in the correct "use" position.
2) To Unlock Hinge: Press palm button to disengage hinge lock. Position ladder in the correct use position and the hinge lock will engage.
3) To Lock/Unlock Rail Locks: Turn rail locks one at a time as shown.
- **PROPER CLIMBING AND USE**
DO NOT USE LADDERS if you tire easily, or are subject to fainting spells, or are using medicine or alcohol or are physically impaired.
To protect children, do not leave ladder set-up and unattended.
Make sure all hinges and rail locks are securely locked before climbing. Check that top and bottom ends of ladder rails are firmly supported.
CAUTION: A 2" x 10" construction grade lumber plank or better must be used in all approved horizontal positions where indicated.
- Face ladder when climbing up or down; keep body centered between side rails.
- Maintain a firm grip. Use both hands in climbing.
- Never climb a ladder from the side unless ladder is secured against side-wise motion, or climb from one ladder to another.
- Do not stand closer to the top than 3 ft. from the top. Never climb above the top support point.
- Do not use ladder in high winds or storms.
- Never pull the hinge release levers and operate hinges when standing on the ladder.
- Cover up hinges during messy work. Obstacles in hinge will destroy its function.
- Do not over reach; move ladder when needed.
- Do not "walk" or "jog" ladder when standing on it.
- Do not overload.
- Keep ladder close to work: avoid pushing or pulling off to the side of ladders.
- Do not allow the wheels to make contact to any surface while the ladder is being used or while you are adjusting the ladder. Ladder may roll out and cause injury or death.
- When using the ladder in the extension position, the wheels must be at the top of the ladder.
- Wheels must only be used to transport the ladder.
- **PROPER CARE AND STORAGE**
Keep hinges free of foreign materials that could destroy its function.
Store ladder in safe and dry place.
Keep ladder clean and free of all foreign materials.
Lubricate mechanism of hinges regularly.
- **SELECCIÓN APROPIADA**
está en la posición correcta
- **SELECCIÓN APROPIADA**
de "uso" no dejes la escalera instalada y sin supervisión.
- **ASEGÚRATE** de que todas las bisagras y bloques de neopreno estén desbloqueados antes de subir. Revisa que los extremos superior e inferior de los rieles de la escalera estén respaldados firmemente.
- **PRECAUCIÓN:** Un tablon de madera de 2" x 10" con calidad para construcción o mejor tiene que usarse donde se indique en todas las posiciones horizontales aprobadas.
- **Ubicación** de frente a la escalera cuando subas o bajes; mantén el cuerpo centrado entre los rieles laterales.
- **Mantén un agarre firme.** Usa las dos manos al subir.
- **Jamás subas por la escalera desde la parte lateral,** a menos que esté asegurada para que no se mueva hacia los lados; ni tampoco subas a una escalera desde otra.
- **No te pares a menos de 3 pies de la parte superior desde arriba.** Jamás subas más allá del punto de soporte superior.
- **Cócala sobre una superficie plana y firme con un apoyo estable.** No la uses sobre superficies resbalosas. No la coloques sobre cajas, bases inestables o andamios para escalar.
- **Cubre las bisagras durante el trabajo que produzca residuos.** Todo obtusidad en las bisagras destruirá su funcionamiento.
- **No te estires más allá de tu alcance;** mueve la escalera cuando sea necesario.
- **Nunca permitas que las ruedas entren en contacto con ninguna superficie al usar la escalera o cuando estás ajustándola.** De lo contrario, la escalera pudieran provocar lesiones o muerte.
- **Al usar la escalera en la posición de extensión,** las ruedas tienen que estar en la parte superior de aquella.
- **Las ruedas sólo pueden usarse para transportar la escalera.**
- **Si la escalera tiene ruedas,** consulta la etiqueta sobre peligro colocada encima de cada una.
- **COMO SUBIR Y USAR BIEN**
NUNCA USAR LA ESCALERA si te cansas fácilmente, eres propenso a desmayos o tomas algún medicamento o alcohol o si físicamente impedido.
- **Al acceder a superficies elevadas,** levanta la escalera de manera que se aproxime a la línea de trabajo. Anarra la parte superior del techo o la superficie de contacto con cables eléctricos cualquier material entren en contacto con cables eléctricos.
- **Cuando la recibas,** lubrica todas las bisagras con grasa o sustancia similar de acuerdo con las instrucciones del fabricante, y hazlo de nuevo al menos una vez por año en función de uso.
- **Acciona de manera segura todas las bisagras y bloques de neopreno de subir.** El funcionamiento correcto de las bisagras es el siguiente:
1) Para bloquear la bisagra: El botón engranará en la posición de bloqueo cuando la escalera está en la posición correcta.
- **INSPECCIÓN**
Asegúrate de que todos los pernos estén ajustados; las bases de las patas, peldaños y remaches; juntas, tornos y tornillos estén bien ajustados. Inspecciona la en el momento que la escalera se activa. Mantén la escalera limpia, sin humedad, aceite, barro, pintura y otros materiales resbalosos. Mantén tu escalador limpio, no se deben usar suelas de cuero.
- **PROPER SELECTION**
Select ladder of proper length to reach working height.
- **IMPORTANT:** Ladders are designed to support one person plus materials and tools per side on 2-man stepladder positions or only one person plus materials and tools on all other positions not more than the working load on the notice sign on this ladder.
- **INSPECTION**
Inspect upon receipt and before each use. Never climb a damaged, bent or broken ladder. All parts must be in good working order.
- Make sure all rivets, joints, nuts and bolts are tight; feet, steps, and rungs are secure; all hinges function properly.
- Keep ladder clean, free from grease, oil, mud, snow, wet paint and other slippery material. Keep your shoes clean, leather soles should not be used.
- Never make temporary repairs of damaged or missing parts.
- Destroy ladder if broken, worn or if exposed to fire or chemical corrosion.
- **PROPER SET-UP**
DANGER! METAL CONDUCTS ELECTRICITY! Do not let ladders of any material come in contact with live electrical wires.
- Upon receipt lubricate all hinges with light machine oil or similar substance per manufacturer instructions and again at least once a year depending on use.
- Securely engage ladder hinges and rail locks before climbing. Proper operations of hinges is as follows:
1) To Lock Hinge: Palm button will engage to the locked position when the ladder is in the correct "use" position.
2) To Unlock Hinge: Press palm button to disengage hinge lock. Position ladder in the correct use position and the hinge lock will engage.
3) To Lock/Unlock Rail Locks: Turn rail locks one at a time as shown.
- **NOTE:** If there is pressure, hinge will be difficult to unlock. To relieve pressure, move half the ladder back & forth until hinge can be easily disengaged.
- Hinges will engage when in the correct use position. Verify rail locks are seated and no red is showing. Adjust all hinges before climbing or using ladder. Never release hinge locks or attempt to reposition hinges while working on the ladder.
- Place on firm level surface with a secure footing. Do not place on boxes, unstable bases or scaffolds to gain additional height. Do not place in front of door opening toward ladder.
- Where possible, use second person to hold ladder.
- Set single or extension ladder at proper (75-1/2) degree angle by placing ladder base a distance equal to 1/4 total working length of ladder away from base of vertical support.
- When accessing elevated surfaces, erect ladder so that approximately 3 ft. extends above roof line or working surface: tie top at support points.
- If ladder has wheels, refer to the danger label placed above each wheel.

OPERATING & SAFETY INSTRUCTIONS

FAILURE TO READ AND FOLLOW ALL INSTRUCTIONS ON THIS LADDER, INCLUDING THOSE UNDER THE STEPS, MAY RESULT IN INJURIES OR DEATH.

SAFETY INSTRUCTIONS

PROPER SELECTION

- Select ladder of proper length to reach working height.
- **IMPORTANT:** Ladders are designed to support one person plus materials and tools per side on 2-man stepladder positions or only one person plus materials and tools on all other positions not more than the working load on the notice sign on this ladder.

INSPECTION

- Inspect upon receipt and before each use. Never climb a damaged, bent or broken ladder. All parts must be in good working order.
- Make sure all rivets, joints, nuts and bolts are tight; feet, steps, and rungs are secure; all hinges function properly.
- Keep ladder clean, free from grease, oil, mud, snow, wet paint and other slippery material. Keep your shoes clean, leather soles should not be used.
- Never make temporary repairs of damaged or missing parts.
- Destroy ladder if broken, worn or if exposed to fire or chemical corrosion.

PROPER SET-UP

- **DANGER! METAL CONDUCTS ELECTRICITY!** Do not let ladders of any material come in contact with live electrical wires.
- Upon receipt lubricate all hinges with light machine oil or similar substance per manufacturer instructions and again at least once a year depending on use.
- Securely engage ladder hinges and rail locks before climbing. Proper operations of hinges is as follows:
1) To Lock Hinge: Palm button will engage to the locked position when the ladder is in the correct "use" position.
2) To Unlock Hinge: Press palm button to disengage hinge lock. Position ladder in the correct use position and the

hinge lock will engage.
3) To Lock/Unlock Rail Locks: Turn rail locks one at a time as shown.

- **NOTE:** If there is pressure, hinge will be difficult to unlock. To relieve pressure, move half the ladder back & forth until hinge can be easily disengaged.
- Hinges will engage when in the correct use position. Verify rail locks are seated and no red is showing. Adjust all hinges before climbing or using ladder. Never release hinge locks or attempt to reposition hinges while working on the ladder.
- Place on firm level surface with a secure footing. Do not place on boxes, unstable bases or scaffolds to gain additional height. Do not place in front of door opening toward ladder.
- Where possible, use second person to hold ladder.
- Set single or extension ladder at proper (75-1/2) degree angle by placing ladder base a distance equal to 1/4 total working length of ladder away from base of vertical support.
- When accessing elevated surfaces, erect ladder so that approximately 3 ft. extends above roof line or working surface: tie top at support points.
- If ladder has wheels, refer to the danger label placed above each wheel.

PROPER CLIMBING AND USE

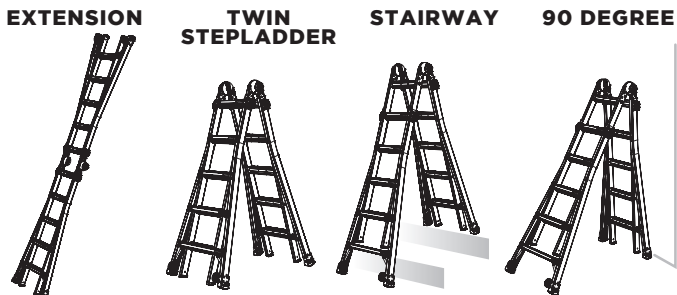
- **DO NOT USE LADDERS** if you tire easily, or are subject to fainting spells, or are using medicine or alcohol or are physically impaired.
- To protect children, do not leave ladder set-up and unattended.
- Make sure all hinges and rail locks are securely locked before climbing. Check that top and bottom ends of ladder rails are firmly supported.
- **CAUTION:** A 2" x 10" construction grade lumber plank or better must be used in all

- approved horizontal positions where indicated.
- Face ladder when climbing up or down; keep body centered between side rails.
- Maintain a firm grip. Use both hands in climbing.
- Never climb a ladder from the side unless ladder is secured against side-wise motion, or climb from one ladder to another.
- Do not stand closer to the top than 3 ft. from the top. Never climb above the top support point.
- Do not use ladder in high winds or storms.
- Never pull the hinge release levers and operate hinges when standing on the ladder.
- Cover up hinges during messy work. Obstacles in hinge will destroy its function.
- Do not over reach; move ladder when needed.
- Do not "walk" or "jog" ladder when standing on it.
- Do not overload.
- Keep ladder close to work: avoid pushing or pulling off to the side of ladders.
- Do not allow the wheels to make contact to any surface while the ladder is being used or while you are adjusting the ladder. Ladder may roll out and cause injury or death.
- When using the ladder in the extension position, the wheels must be at the top of the ladder.
- Wheels must only be used to transport the ladder.
- **PROPER CARE AND STORAGE**
Keep hinges free of foreign materials that could destroy its function.
Store ladder in safe and dry place.
Keep ladder clean and free of all foreign materials.
Lubricate mechanism of hinges regularly.

OVERVIEW

MPX ALUMINUM TELESCOPING MULTI-POSITION LADDER

There are two components to operate the ladder: adjustable hinges and rail locks. The adjustable hinges allow the ladder to be used in four different configurations shown below. The rail locks allow the outer sections to slide between different height adjustments of one-foot increments on either side of the ladder.



The ladder must only be used in the 90 degree position when one side of the ladder is one rung shorter than the other side. Only use ladder against a solid wall.

MUST ONLY BE USED WHEN BACK OF LADDER IS AGAINST A WALL AND THE LADDER IS ON A FLAT LEVEL SURFACE.

SPECIFICATIONS

# of Positions	GLA-MPX22W	GLA-MPX26W
Extension	9	11
Twin Stepladder	5	6
Stairway	10	15
90 Degree	4	5
Total Positions	28	37
Ladder Size		
Extension	10' 10" - 18' 10"	12' 10" - 22' 10"
Twin Stepladder	5' 5" - 9' 5"	6' 5" - 11' 5"
Stairway	5' 5" - 9' 5"	6' 5" - 11' 5"
90 Degree	6' 5" - 9' 5"	7' 5" - 11' 5"
Highest Standing Level		
Extension	7' 9" - 15' 6"	9' 8" - 19' 3.5"
Twin Stepladder	2' 10" - 6' 8"	3' 9.75" - 8' 6.75"
Stairway	2' 10" - 6' 8"	3' 9.75" - 8' 6.75"
90 Degree	3' 5.5" - 6' 3"	4' 4" - 7' 9.5"
Max Reach		
	22'	25' 9"
Duty Rating		
	Type IAA 375 Lbs.	Type IAA 375 Lbs.

DANGER

FAILURE TO READ AND FOLLOW ALL INSTRUCTIONS ON THIS LADDER, INCLUDING THOSE UNDER THE STEPS, MAY RESULT IN INJURIES OR DEATH.

WARNING

The use of fall protection equipment is ALWAYS recommended. Check applicable ANSI, OSHA, State, and Local codes for specific requirements.

ADVERTENCIA

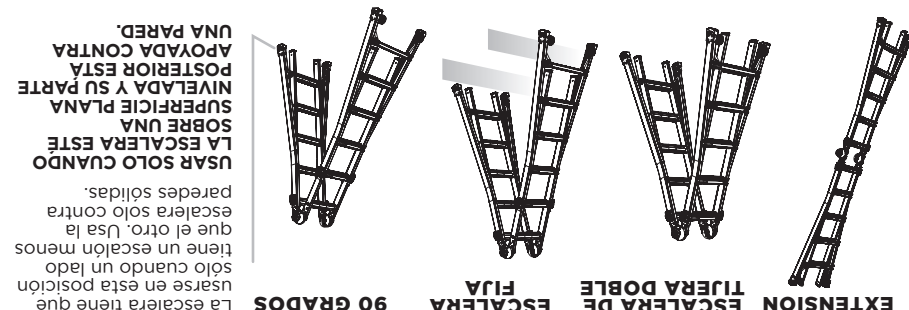
Se recomienda usar SIEMPRE el equipo de protección contra caídas. Revisa los requisitos específicos de los códigos aplicables de ANSI, OSHA y los gobiernos estatal y local.

PELIGRO

NO LEER NI SEGUIR TODAS LAS INSTRUCCIONES SOBRE ESTA ESCALERA, INCLUYENDO AQUELLAS QUE APARECEN DEBAJO DE LOS PELDAÑOS, PODRÍA RESULTAR EN LESIONES O MUERTE.

Clasificación de servicio	Tipo IAA 170 kg	Tipo IAA 170 kg
Alcance máx	6.7m	7.8m
90 Grados	1m - 1.9m	1.5m - 2.3m
Escalera fija	86.3cm - 2m	1.1m - 2.6m
Escalera de tijera doble	86.3cm - 2m	1.1m - 2.6m
Extensión	2.3m - 4.7m	2.9m - 5.8m
Nivel más alto en posición vertical		
90 Grados	1.9m - 2.8m	2.2m - 3.4m
Escalera fija	1.6m - 2.8m	1.9m - 3.4m
Escalera de tijera doble	1.6m - 2.8m	1.9m - 3.4m
Extensión	3.3m - 5.7m	3.9m - 6.9m
Posiciones		
Total Positions	28	37
90 Grados	4	5
Escalera fija	10	15
Escalera de tijera doble	5	6
Extensión	9	11
# de posiciones	GLA-MPX22W	GLA-MPX26W

SPECIFICATIONS



Hay dos componentes para usar la escalera: bisagras ajustables y bloques de riel. Las bisagras ajustables permiten usar la escalera en las cuatro configuraciones diferentes que se muestran más abajo. Los bloques de riel permiten que las secciones extensoras se deslicen entre los diferentes ajustes de altura en intervalos de un pie a cada lado de la escalera.

La escalera tiene que usar en esta posición sólo cuando un lado tiene un escalón menos que el otro. Usa la escalera sólo contra paredes sólidas.

USAR SOLO CUANDO SOBRE UNA SUPERFICIE PLANA NIVELADA Y SU PARTE POSTERIOR ESTÁ APOYADA CONTRA UNA PARED.

ESCALERA MPX DE ALUMINIO, TELESCÓPICA Y DE MÚLTIPLES POSICIONES

VISIÓN GENERAL

MECANISMO DE BLOQUEO

FUNCIONAMIENTO DE LAS BISAGRAS AJUSTABLES

Las dos bisagras ajustables ubicadas en la parte superior de la escalera permiten cambiarla de la posición de almacenaje a las demás configuraciones. Las bisagras ajustables se bloquearán en 3 posiciones, como se muestra en las figuras 3, 4 y 5.

Para Desbloquear

Presiona el botón para desbloquear la bisagra. (Ver Figura 1)

Para Bloquear

Coloca la escalera en la posición correcta de "uso" o en la posición de almacenaje para bloquear por completo ambas bisagras. (Ver Figura 2)

3 POSICIONES DE BLOQUEO

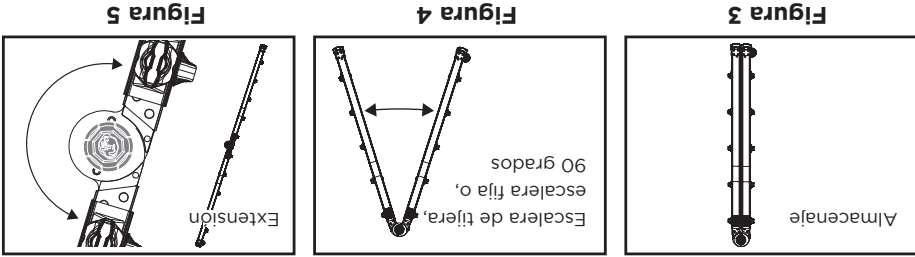


Figura 3

Figura 4

Figura 5

PELIGRO TODOS LOS MECANISMOS DE BLOQUEO TIENEN QUE FIARSE ANTES DE USAR LA ESCALERA

PELIGRO NO TE PARES SOBRE ESCALERA AL AJUSTAR BISAGRAS NI AL PRESIONAR EL BOTÓN

NOTA: De haber presión sobre los pines de la bisagra, será difícil desbloquearla. Para aliviar la presión, mueve la mitad de la escalera hacia adelante y hacia atrás hasta que la bisagra pueda desbloquearse fácilmente.

NOTA: No fuerces la bisagra con ninguna herramienta. Podrían sobrevenir daños permanentes al mecanismo de la bisagra. Se requiere tan solo una ligera presión para desbloquear cuando los orificios están bien alineados.

LOCKING MECHANISMS

ADJUSTABLE HINGE OPERATION

The two adjustable hinges located at the top of the ladder allow the ladder to change from the storage position to the other configurations. The adjustable hinges will lock in 3 positions as shown in Figures 3, 4 and 5.

To Unlock

Push palm buttons to disengage hinge lock. (see Figure 1)

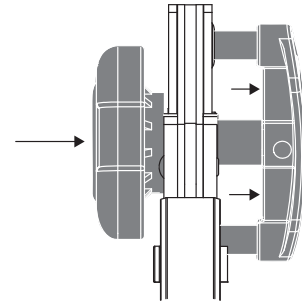


Figure 1 - Unlocked

To Lock

Position ladder in the correct "use" position or storage position to fully engage both hinges to the locked position. (see Figure 2)

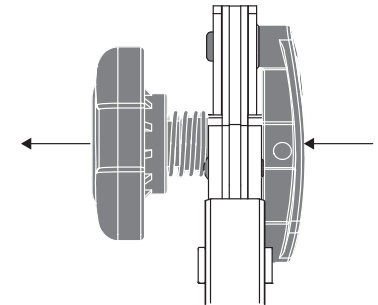


Figure 2 - Locked

3 LOCKED POSITIONS

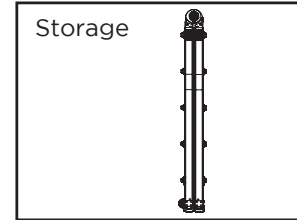


Figure 3

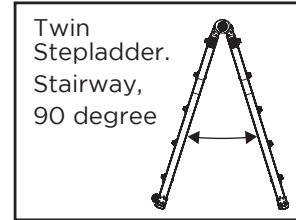


Figure 4

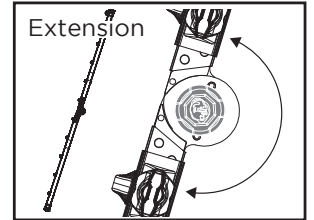


Figure 5

DANGER

ALL LOCKING MECHANISMS MUST BE ENGAGED BEFORE USING LADDER.

DANGER

DO NOT STAND ON LADDER WHEN ADJUSTING HINGE OR PUSHING IN THE PALM BUTTON.

NOTE: If there is any pressure on the hinge pins, the hinge will be difficult to unlock. To relieve pressure, move half of the ladder back and forth until hinge can be easily disengaged.

NOTE: Do not force the hinge with any tools. Permanent damage to the hinge mechanism can occur. Only light pressure is required to unlock when holes are properly aligned.

LOCKING MECHANISMS

RAIL LOCK OPERATION

The rail locks located on each side of the ladder lock the inner and outer sections and allow you to adjust the height of the ladder in one-foot increments. (see Figures 6 & 7 below)

To Unlock Rail Locks

Turn rail locks a 1/4 turn one at a time to the unlocked position.

To Lock Rail Locks

Turn rail locks a 1/4 turn one at a time to the locked position.

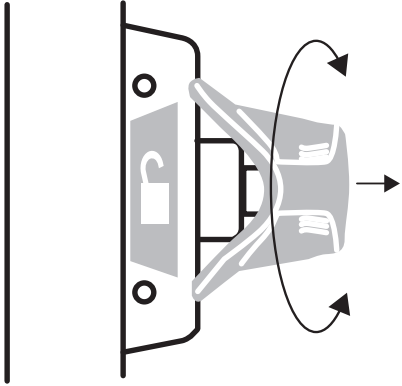


Figure 6 - Unlocked

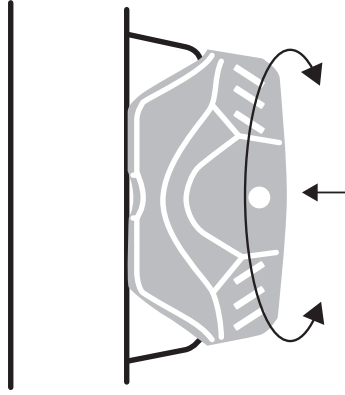


Figure 7 - Locked

NOTE: Unlock only one rail lock at a time while supporting the inner section. Do not adjust locks if anyone is on the ladder.

DANGER

ALL LOCKING MECHANISMS MUST BE ENGAGED BEFORE USING LADDER. THE RAIL LOCKS ARE FULLY LOCKED WHEN NO RED IS SHOWING.

DANGER

DO NOT STAND ON LADDER WHEN ADJUSTING RAIL LOCKS.

MECANISMO DE BLOQUEO

FUNCIONAMIENTO DEL BLOQUEO DE RIEL

Los bloques de riel ubicados a cada lado de la escalera bloquean las secciones interna y exterior, así como te permiten ajustar la altura de la escalera en intervalos de un pie. (Ver Figuras 6 y 7 más abajo)

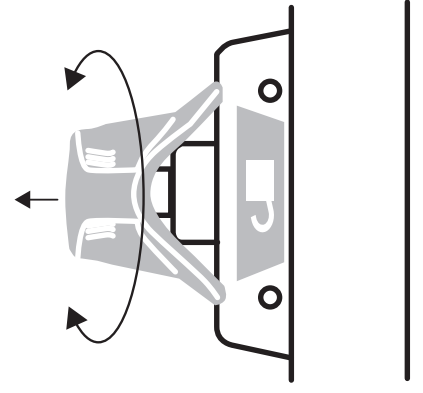


Figura 6 - Desbloqueado

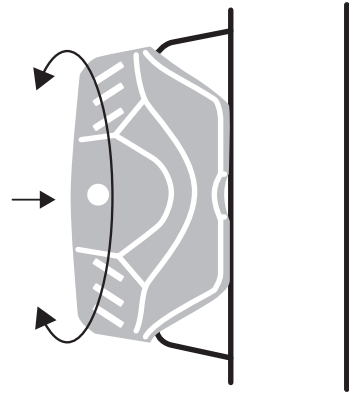


Figura 7 - Bloqueado

Para liberar los bloques de riel
Girar los bloques de riel 1/4 de vuelta, uno a uno, hasta la posición de desbloqueado.

Para fijar los bloques de riel
Girar los bloques de riel 1/4 de vuelta, uno a uno, hasta la posición de bloqueo.

NOTA: Liberar tan solo un bloqueo de riel a la vez sosteniendo la sección interna. No ajustar los bloques si alguien está sobre la escalera.

PELIGRO

TODOS LOS MECANISMOS DE BLOQUEO TIENEN QUE FIJARSE ANTES DE USAR LA ESCALERA. LOS BLOQUEOS DE RIEL ESTÁN BIEN FIJADOS CUANDO NINGUNO SE MUESTRE ROJO.

PELIGRO

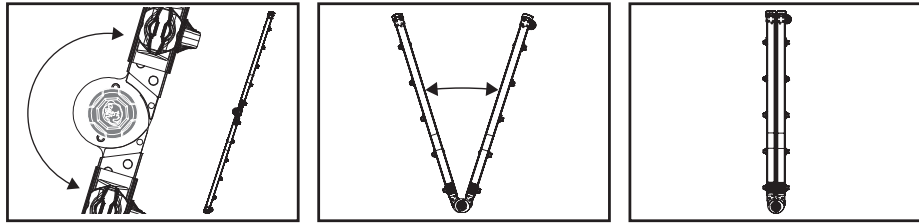
NO TE PARES SOBRE LA ESCALERA AL AJUSTAR LOS BLOQUEOS DE RIEL.

CONFIGURACIONES DE LA ESCALERA

ESCALERA DE EXTENSION

INSTALACIÓN Y AJUSTES DE ALTURA ADECUADOS

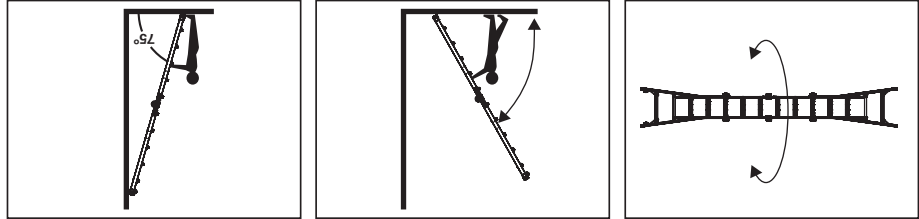
Desde la posición de almacenamiento (Ver Figura 8), desbloquee ambas bisagras ajustables para liberar los bloques como se indica en la Figura 1. Separe las dos secciones de la escalera tirando de ellas hasta que ambas bisagras encajen en su lugar y queden bloqueadas con seguridad (Ver Figura 9). Presione de nuevo los botones para liberar el bloqueo y gire la mitad de la escalera hacia su modo de extensión hasta que las bisagras encajen en su lugar y queden bloqueadas con seguridad (Ver Figura 10). Repita a la inversa el proceso anterior para colocar la escalera sobre el piso.



Para incrementar la altura de la escalera, ponga horizontalmente sobre el piso de manera que los peldaños queden mirando hacia arriba. Liberar los bloques de riel a un lado de la escalera y extienda la sección exterior hasta el largo deseado. No extienda más allá de la última posición de bloqueo. Enseguida fija los bloques de riel. Si desea mayor altura, repite el proceso indicado más arriba en el otro lado de la escalera.

Fíjate bien que todos los bloques de riel están en la posición de bloqueo y que ninguno se muestra rojo. Para colocar la escalera en posición de uso: Voltea la escalera. Levanta la parte superior de la escalera; mano sobre mano levanta la escalera y apóyala contra una pared. Asegura que la escalera quede aproximadamente en ángulo de 75 grados antes de usarla. Repite a la inversa el proceso anterior para colocar la escalera sobre el piso.

NOTA: LAS RUEDAS TIENEN QUE ESTAR EN LA PARTE SUPERIOR DE LA ESCALERA CUANDO ESTA SE ENCUENTRE EN LA POSICION DE EXTENSION



PELIGRO TODOS LOS MECANISMOS DE BLOQUEO TIENE QUE ESTAR FIJADOS ANTES DE USAR LA ESCALERA.

PELIGRO SUBE LA ESCALERA SOLO POR EL FRENTE Y EN EL MODO DE EXTENSION, TAL COMO SE INDICA EN LA FIGURA 10

ADVERTENCIA NO AJUSTES LOS BLOQUEOS DE RIEL NI DE LA ESCALERA EXTERIOR SIN SOSTENER CON SEGURIDAD LA ESCALERA INTERNA.

ADVERTENCIA AL AJUSTAR, MANTÉN TODAS LAS PARTES DEL ARMAZÓN LIBRES DE PELDANOS Y ESCALONES DESLIZANTES.

LADDER CONFIGURATIONS

EXTENSION LADDER

PROPER SET-UP AND HEIGHT ADJUSTMENT

From the storage position (see Figure 8), unlock both adjustable hinges to disengage the locks as indicated in Figure 1. Pull the two sections of the ladder apart until both hinges snap into place and securely lock (see Figure 9). Push palm buttons again to disengage lock and rotate one-half of the ladder to its extension mode until hinges snap into place and securely lock (see Figure 10).

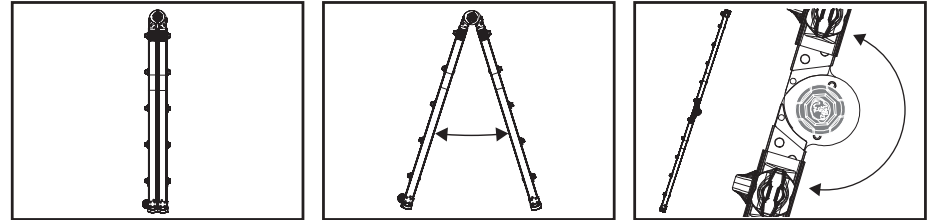


Figure 8

Figure 9

Figure 10

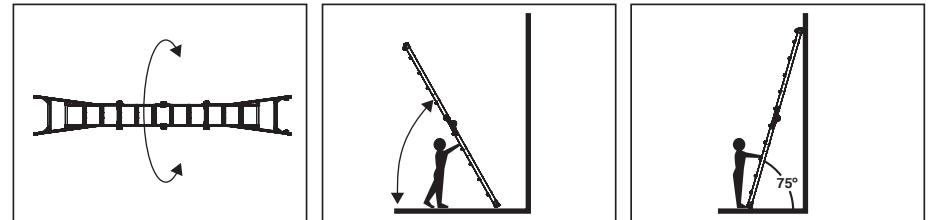
To increase ladder height, lay the ladder down flat on the ground so the rungs are facing up. Unlock the rail locks on one side of the ladder and extend the outer section to the desired length. Do not extend beyond the last locking position. Next, lock the rail locks.

If more height is desired, repeat the above process on the other side of the ladder. Visually make sure all rail locks are in the locked position and no red is showing.

To position ladder for use: flip ladder over. Lift the top of ladder up from the ground; hand over hand raise the ladder up and lean up against a wall. Make sure ladder is at approximately a 75 degree angle before use.

Reverse the process above to bring down the ladder.

NOTE: WHEELS MUST BE AT THE TOP OF THE LADDER WHEN IN THE EXTENSION POSITION.



DANGER ALL LOCKING MECHANISMS MUST BE ENGAGED BEFORE USING THE LADDER.

DANGER ONLY CLIMB THE FRONT OF THE LADDER IN THE EXTENSION MODE AS INDICATED IN FIGURE 10.

WARNING DO NOT ADJUST THE OUTER LADDER OR RAIL LOCKS WITHOUT SECURE HOLD OF THE INNER LADDER.

WARNING KEEP ALL BODY PARTS CLEAR OF SLIDING STEPS AND RUNGS DURING ADJUSTMENT.

LADDER CONFIGURATIONS

TWIN STEPLADDER

PROPER SET-UP AND HEIGHT ADJUSTMENTS

From the storage position (see Figure 11), unlock both adjustable hinges to disengage the locks as indicated in Figure 1. Pull the two sections of the ladder apart until both hinges snap into place and securely lock (see Figure 12).

To increase the height of the ladder, unlock the rail locks on one side of the ladder and tip the ladder to its side to allow the outer section to drop to your desired height (see Figure 13). When you are at your desired height, lock the rail locks.

Unlock the rail locks on the other side of the ladder and tip the ladder to its side to allow the outer section of the ladder to drop to the same height as the first side. When you are at your desired height, lock the rail locks.

The ladder is properly aligned when the ladder steps are level as shown in Figure 14.

Visually make sure the rail locks are in the locked position and no red is showing.

To return the ladder back to its lowest position, reverse the process above.

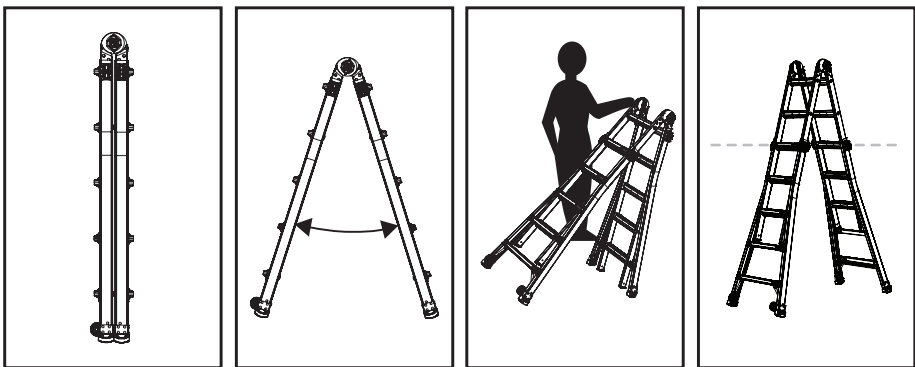


Figure 11

Figure 12

Figure 13

Figure 14

- DANGER** ALL LOCKING MECHANISMS MUST BE ENGAGED BEFORE USING THE LADDER.
- WARNING** DO NOT ADJUST THE OUTER LADDER OR RAIL LOCKS WITHOUT SECURE HOLD OF THE INNER LADDER.
- WARNING** KEEP ALL BODY PARTS CLEAR OF SLIDING STEPS AND RUNGS DURING ADJUSTMENT.

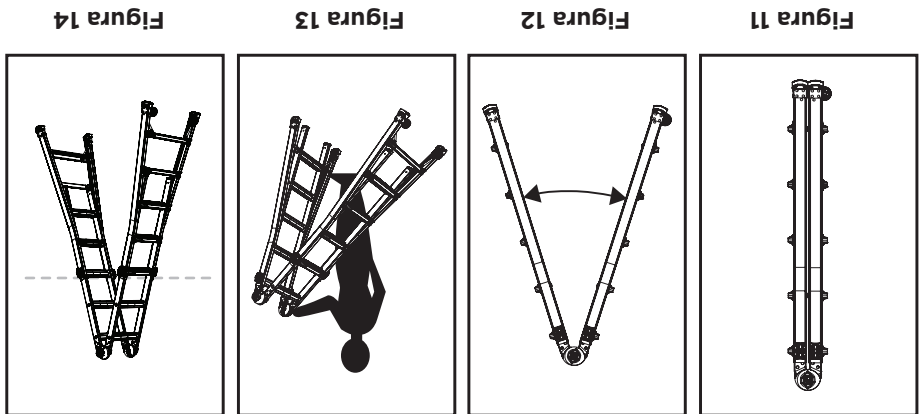
INSTALACIÓN Y AJUSTES DE ALTURA ADECUADOS

Desde la posición de almacenamiento (Ver Figura 11), desbloquee ambas bisagras ajustables para liberar los bloques como se indica en la Figura 1. Separe las dos secciones de la escalera tirando de ellas hasta que ambas bisagras encajen en su lugar y queden bloqueadas con seguridad (Ver Figura 12).

Para incrementar la altura de la escalera, libere los bloques de riel a un lado de la escalera e inclínala de lado para permitir que la sección exterior caiga a la altura deseada (Ver Figura 13). Al alcanzar la altura deseada, fija los bloques de riel.

Libere los bloques de riel del otro lado de la escalera e inclínala de lado para permitir que la sección exterior caiga a la misma altura del otro lado. Al alcanzar la altura deseada, fija los bloques de riel. La escalera está bien alineada si sus peldaños están nivelados como se muestra en la Figura 14.

Fíjate bien que todos los bloques de riel están en la posición de bloqueo y que ninguno se muestre rojo. Para colocar la escalera en su posición anterior más baja, procede a la inversa de como se indicó más arriba.



- PELIGRO** TODOS LOS MECANISMOS DE BLOQUEO TIENE QUE ESTAR FIJADOS ANTES DE USAR LA ESCALERA.
- ADVERTENCIA** NO AJUSTES LOS BLOQUES DE RIEL NI DE LA ESCALERA EXTERIOR SIN SOSTENER CON SEGURIDAD LA ESCALERA INTERNA.
- ADVERTENCIA** AL AJUSTAR, MANTÉN TODAS LAS PARTES DEL ARMAZÓN LIBRES DE PELDANOS Y ESCALONES DESLIZANTES.

ESCALERA DE TIJERA DOBLE

CONFIGURACIONES DE LA ESCALERA

CONFIGURACIONES DE LA ESCALERA

ESCALERA FIJA

INSTALACIÓN Y AJUSTES DE ALTURA ADECUADOS

Desde la posición de almacenamiento (Ver Figura 15), desbloquee ambas bisagras ajustables para liberar los bloques como se indica en la Figura 1. Separe las dos secciones de la escalera tirando de ellas hasta que ambas bisagras encajen en su lugar y queden bloqueadas con seguridad (Ver Figura 16). Para incrementar la altura de la escalera, libere los bloques de riel a un lado de la escalera e inclínela de lado para permitir que la sección exterior caiga a la altura deseada (Ver Figura 17). Al alcanzar la altura deseada, fije los bloques de riel. Ajuste en consecuencia el otro lado de la escalera hasta alcanzar la posición fijada. La escalera está bien alineada si sus peldaños están nivelados como se muestra en la Figura 18. Para colocar la escalera en su posición anterior más baja, proceda a la inversa de como se indicó más arriba.

NOTA: LAS RUEDAS TIENEN QUE ESTAR EN EL LADO MÁS BAJO DE LA ESCALERA CUANDO ESTA SE ENCUENTRE EN LA POSICIÓN DE ESCALERA FIJA

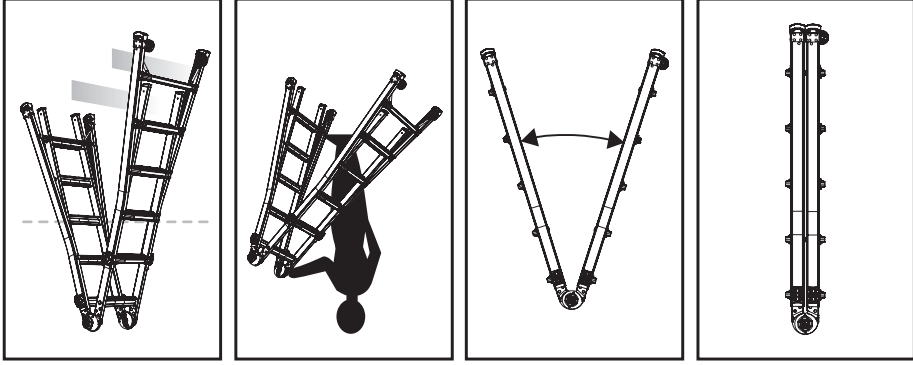


Figura 15

Figura 16

Figura 17

Figura 18

PELIGRO

TODOS LOS MECANISMOS DE BLOQUEO TIENE QUE ESTAR FIJADOS ANTES DE USAR LA ESCALERA.

ADVERTENCIA

NO AJUSTES LOS BLOQUEOS DE RIEL NI DE LA ESCALERA EXTERIOR SIN SOSTENER CON SEGURIDAD LA ESCALERA INTERNA.

ADVERTENCIA

AL AJUSTAR, MANTÉN TODAS LAS PARTES DEL ARMAZÓN LIBRES DE PELDAÑOS Y ESCALONES DESLIZANTES.

ADVERTENCIA

NUNCA USES LA ESCALERA EN EL MODO FIJO SI LOS PELDAÑOS NO ESTÁN AL MISMO NIVEL.

LADDER CONFIGURATIONS

STAIRWAY

PROPER SET-UP AND HEIGHT ADJUSTMENTS

From the storage position (see Figure 15), unlock both adjustable hinges to disengage the locks as indicated in Figure 1. Pull the two sections of the ladder apart until both hinges snap into place and securely lock (see Figure 16).

To increase the height of the ladder, unlock the rail locks on one side of the ladder and tip the ladder to its side to allow the outer section to drop to your desired height (see Figure 17). When you are at your desired height, lock the rail locks.

Adjust the other side of the ladder accordingly to fit staircase.

The ladder is properly aligned when the ladder steps are level as show in Figure 18.

Visually make sure the rail locks are in the locked position and no red is showing.

To return the ladder back to its lowest position, reverse the process above.

NOTE: WHEELS MUST BE ON THE LOWER SIDE WHEN IN THE STAIRWAY POSITION.

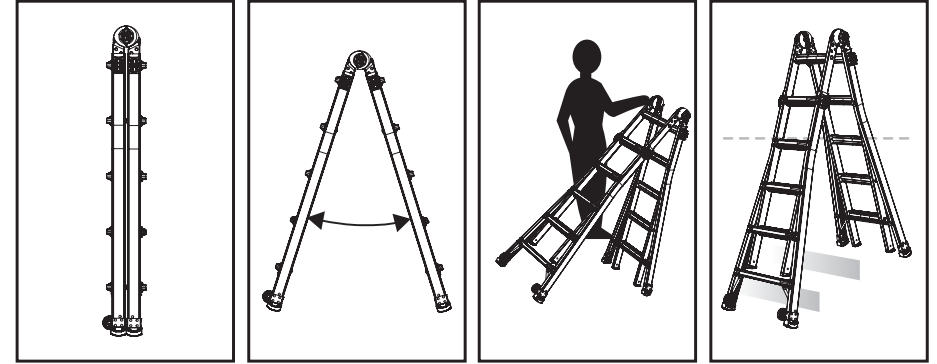


Figure 15

Figure 16

Figure 17

Figure 18

DANGER

ALL LOCKING MECHANISMS MUST BE ENGAGED BEFORE USING THE LADDER.

WARNING

DO NOT ADJUST THE OUTER LADDER OR RAIL LOCKS WITHOUT SECURE HOLD OF THE INNER LADDER.

WARNING

KEEP ALL BODY PARTS CLEAR OF SLIDING STEPS AND RUNGS DURING ADJUSTMENT.

WARNING

NEVER USE THE LADDER IN STAIRWAY IF STEPS ARE NOT LEVEL. YOU CAN LOSE YOUR BALANCE.

LADDER CONFIGURATIONS

90 DEGREE

PROPER SET-UP AND HEIGHT ADJUSTMENTS

The ladder must only be used in this position when one side of the ladder is one rung shorter than the other side. Only use ladder against a solid wall.

From the storage position (see Figure 19), unlock both adjustable hinges to disengage the locks as indicated in Figure 1. Pull the two sections of the ladder apart until both hinges snap into place and securely lock (see Figure 20).

To increase the height of the ladder, unlock the rail locks on one side of the ladder and tip the ladder to its side to allow the outer section to drop to your desired height (see Figure 21). When you are at your desired height, lock the rail locks.

Unlock the rails locks on the first side of the ladder and tip the ladder to its side to allow the outer section of the ladder to drop so the height is one rung shorter than the first side. Lock rail locks.

Visually make sure the rail locks are in the locked position and no red is showing.

The ladder is properly aligned when one side of the ladder is one rung shorter than the other. (see Figure 22)

To return the ladder back to its lowest position, reverse the process above.

NOTE: WHEELS MUST BE ON THE LOWER SIDE WHEN IN THE 90 DEGREE POSITION.

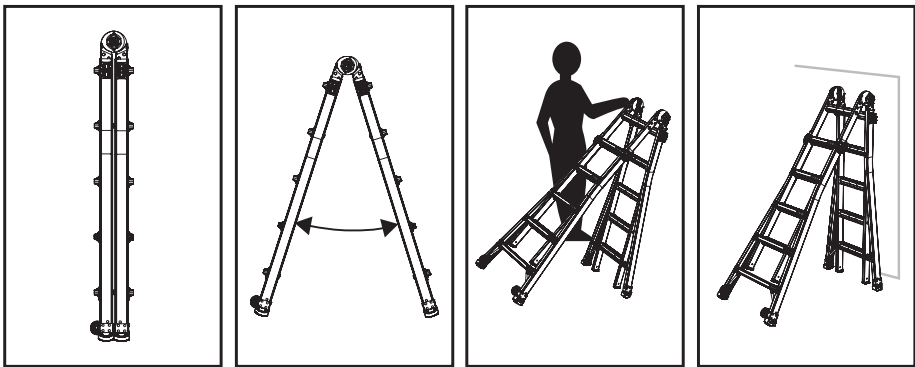


Figure 19

Figure 20

Figure 21

Figure 22

NOTE: MUST ONLY BE USED WHEN BACK OF LADDER IS AGAINST A WALL AND THE LADDER IS ON A FLAT LEVEL SURFACE.

⚠ DANGER

ALL LOCKING MECHANISMS MUST BE ENGAGED BEFORE USING THE LADDER.

⚠ WARNING

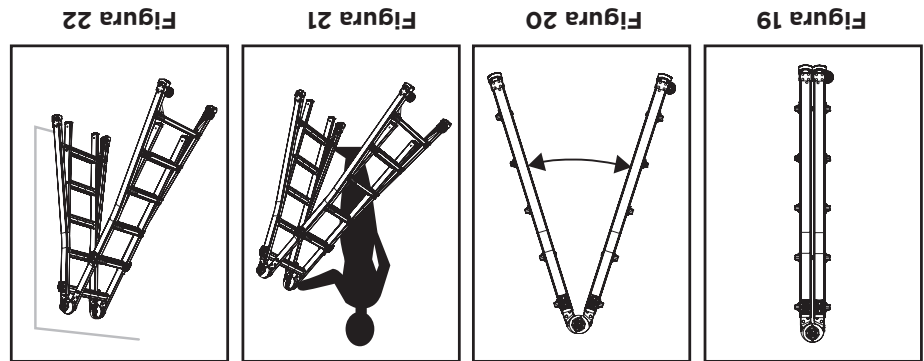
KEEP ALL BODY PARTS CLEAR OF SLIDING STEPS AND RUNGS DURING ADJUSTMENT.

⚠ WARNING

NEVER USE THE LADDER IN 90 DEGREE IF LADDER IS NOT ON A FLAT LEVEL SURFACE.

PELIGRO TODOS LOS MECANISMOS DE BLOQUEO TIENE QUE ESTAR FIJADOS ANTES DE USAR LA ESCALERA.
ADVERTENCIA AL AJUSTAR, MANTÉN TODAS LAS PARTES DEL ARMAZÓN LIBRES DE PELDAÑOS Y ESCALONES DESLIZANTES.
ADVERTENCIA NO USAR JAMÁS UNA ESCALERA EN LA POSICIÓN DE 90 GRADOS SI NO ESTÁ SOBRE UNA SUPERFICIE PLANA NIVELADA.

NOTA: USAR SOLO CUANDO LA ESCALERA ESTÉ SOBRE UNA SUPERFICIE PLANA NIVELADA Y SU PARTE POSTERIOR ESTÁ APOYADA CONTRA UNA PARED.



NOTA: LAS RUEDAS TIENEN QUE ESTAR EN EL LADO MÁS BAJO DE LA ESCALERA CUANDO ESTA SE ENCUENTRE EN LA POSICIÓN DE 90 GRADOS

La escalera tiene que usarse en esta posición sólo cuando un lado tiene un escalón menos que el otro. Usa la escalera sólo contra paredes sólidas. Desde la posición de almacenaje (Ver Figura 19), desbloquee ambas bisagras ajustables para liberar los bloques como se indica en la Figura 1. Separe las dos secciones de la escalera tirando de ellas hasta que ambas bisagras encajen en su lugar y queden bloqueadas con seguridad (Ver Figura 20). Para incrementar la altura de la escalera, libere los bloques de riel a un lado de la escalera e inclínala de lado para permitir que la sección exterior caiga a la altura deseada (Ver Figura 21). Al alcanzar la altura deseada, fija los bloques de riel. Libere los bloques de riel del otro lado de la escalera e inclínala de lado para permitir que la sección exterior caiga a la altura de un escalón menos con respecto al otro lado. Fija los bloques de riel. Fíjate bien que todos los bloques de riel están en la posición de bloqueo y que ninguno se muestre rojo. La escalera está bien alineada cuando uno de sus lados tiene un escalón menos que el otro. (Ver Figura 22) Para colocar la escalera en su posición anterior más baja, procede a la inversa de como se indicó más arriba.

INSTALACIÓN Y AJUSTES DE ALTURA ADECUADOS

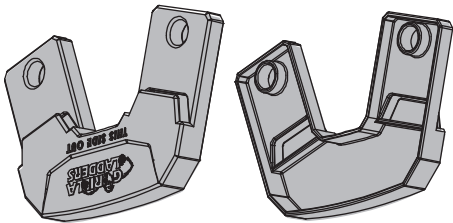
90 GRADOS

CONFIGURACIONES DE LA ESCALERA

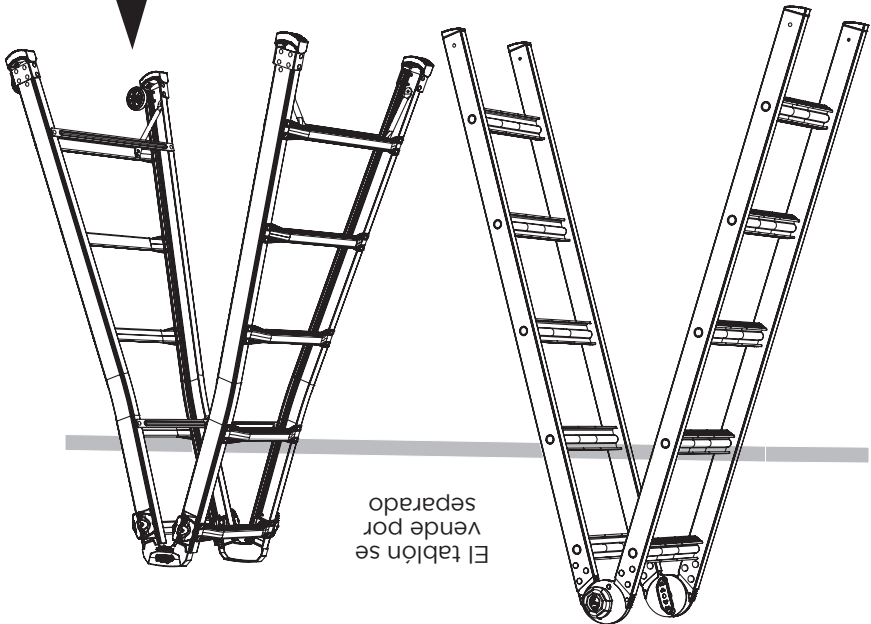
SOPORTES DE BARANDILLAS

Los soportes de caballete **Gorilla Ladders®** permiten usar la escalera de múltiples posiciones como dos bases de andamio.

Para ordenar los accesorios más abajo, visítanos en www.gorillaladders.com o comunícate con nuestro servicio al cliente por el teléfono 1-800-867-6763.



El tablon se vende por separado



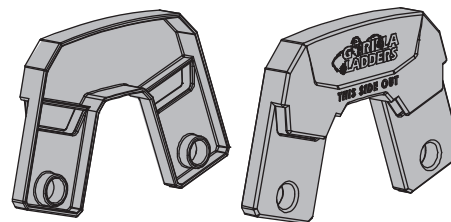
NOTA: LAS RUEDAS TIENEN QUE ESTAR EN EL LADO EXTERNO CUANDO LA ESCALERA SE ENCUENTRE EN LA POSICION DE ANDAMIO

ACCESSORIES AVAILABLE:

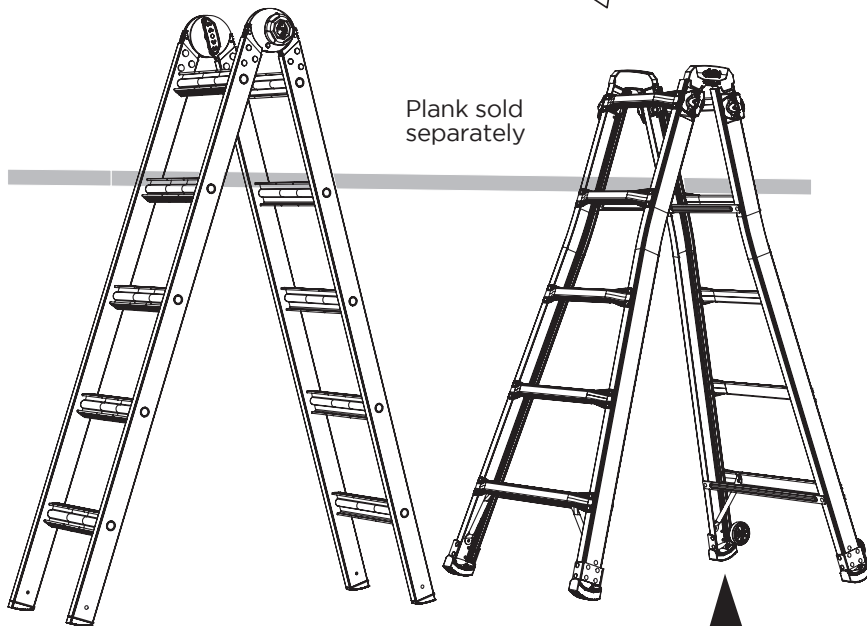
RAIL BRACKETS

Gorilla Ladders® rail brackets allow the multi-position ladder to be used as two scaffold bases.

To order, please visit us at www.gorillaladders.com or contact our customer service at 1-800-867-6763.



Plank sold separately



NOTE: WHEELS MUST BE ON THE OUTSIDE WHEN IN THE SCAFFOLD POSITION

Maintenance

To ensure smooth operation, lubricate the mechanical hinges and rail locks with light lubricant every six months and prior to long term storage. This should be performed more often as use dictates, and under extreme weather conditions. (The recommended lubricant is a 10 to 20 weight light machine oil, such as 3-in-ONE® lubricating oil.)

Always store the ladder in a dry location.

Keep rails clean so that the inner ladder will slide easily.

Keep hinge mechanism free of dirt, salt spray, paint, or other contaminants that could prevent proper operation.

Replace ladder feet as required to ensure safety.

To order, visit us at www.gorillaladders.com or call 1-800-867-6763.

Check all components to be sure they operate correctly.

For additional resources and safety videos, please visit us at www.gorillaladders.com

Mantenimiento

Para garantizar las operaciones sin problemas, lubrifica los bloques de riel y las bisagras mecánicas con lubricante ligero cada seis meses y antes de almacenar por período prolongado. Esto debe hacerse con mayor frecuencia según dicte el uso y en condiciones climáticas extremas. (El lubricante recomendado es un aceite para máquina ligero, con peso de 10 a 20, tal como el aceite lubricante 3-in-ONE®).

Guarda siempre la escalera en lugar seco.

Mantén los rieles limpios de manera que la escalera interna se deslice con facilidad.

Mantén el mecanismo de bisagra libre de suciedad, rocío salino u otros contaminantes que pudieran impedir la operación adecuada.

Reemplaza las patas internas y externas según se requiera para garantizar la seguridad.

Para ordenar, visítanos en www.gorillaladders.com o contacta a nuestro servicio al cliente por el teléfono 1-800-867-6763.

Revisa todos los componentes para asegurar que funcionan correctamente.

Para recursos adicionales o videos sobre seguridad, visítanos en www.gorillaladders.com